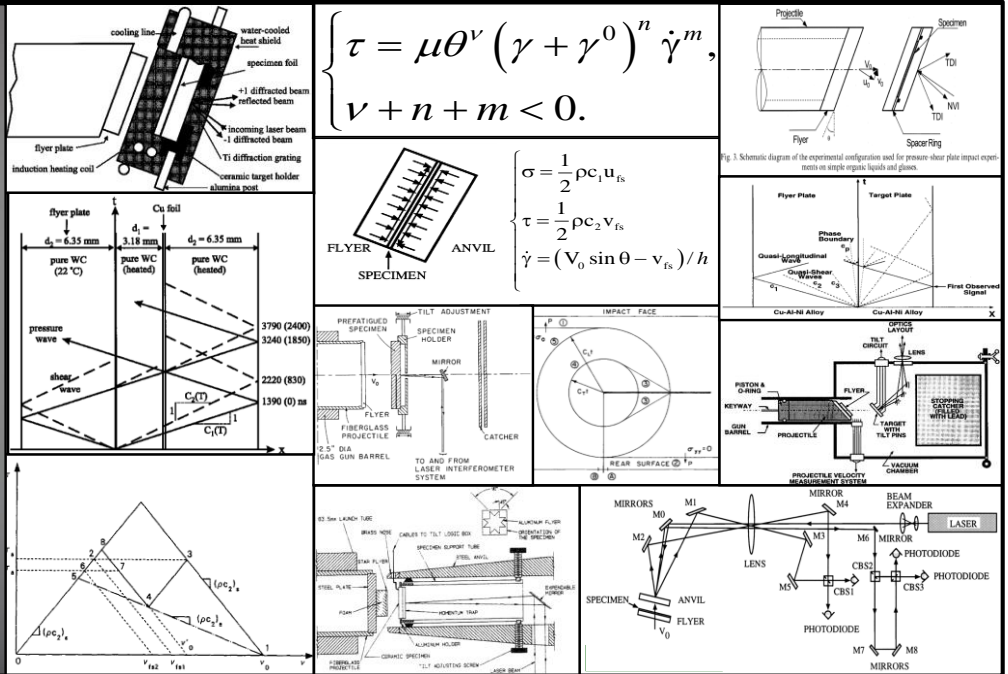


2013 Sigma Xi Monie A. Ferst Award Symposium

Current Challenges in Mechanics of Materials Research



In honor of
Rodney J. Clifton
 Rush C. Hawkins University
 Professor Emeritus and Professor
 of Engineering (Research)
 School of Engineering
 Brown University

Friday, October 25, 2013
 Georgia Institute of Technology
 Global Learning Center, Room 233
 84 5th St NW, Atlanta, GA 30308

YOU ARE CORDIALLY INVITED TO ATTEND THE
2013 SIGMA XI MONIE A. FERST AWARD SYMPOSIUM
 GEORGIA TECH GLOBAL LEARNING CENTER
CONTINENTAL BREAKFAST STARTS AT 8:15 AM,
SYMPOSIUM TO FOLLOW AT 9:15 AM

G. Ravichandran
 California Institute of Technology
"Rod Clifton, the mentor"

Kyung-Suk Kim
 Brown University
"Role of interferometry in mechanics; from optical to atomic lattice interferometry"

K. T. Ramesh
 Johns Hopkins University
"Neuromechanics: in situ observations of the evolution of the neuronal cytoskeleton under load"

Horacio D. Espinosa
 Northwestern University
"Robust carbon-carbon nanoelectromechanical switches"

Wei Tong
 Southern Methodist University
"Tensile deformation behavior of two stainless steel foils for fuel-cell assemblies"

Vikas Prakash
 Case Western Reserve University
"Shock response of Zr-based bulk metallic glass"

Amos Gilat
 Ohio State University
"Development deformation and failure model (MAT224) in LS_DYNA finite element program"

Shuman Xia
 Georgia Institute of Technology
"Fracture characteristics of high-capacity anode materials for Li-ion batteries"

Michael Mello
 Georgia Institute of Technology
"An IR Diffraction Interferometer for Mapping the Coplanarity of a Fine Pitch Ball Grid Array"

Alain Molinari
 University of Metz, France
"Some examples of thermo-plastic shear instabilities in high speed processes and geology"

Xanthippi Markenscoff
 University of California San Diego
"Damage amplification due to microhole interactions"

Information and RSVP:
 Professor Min Zhou, min.zhou@gatech.edu or
 Cecelia Jones, sigmaxi@me.gatech.edu

[HTTP://SIGMAXI.GATECH.EDU](http://sigmaxi.gatech.edu)