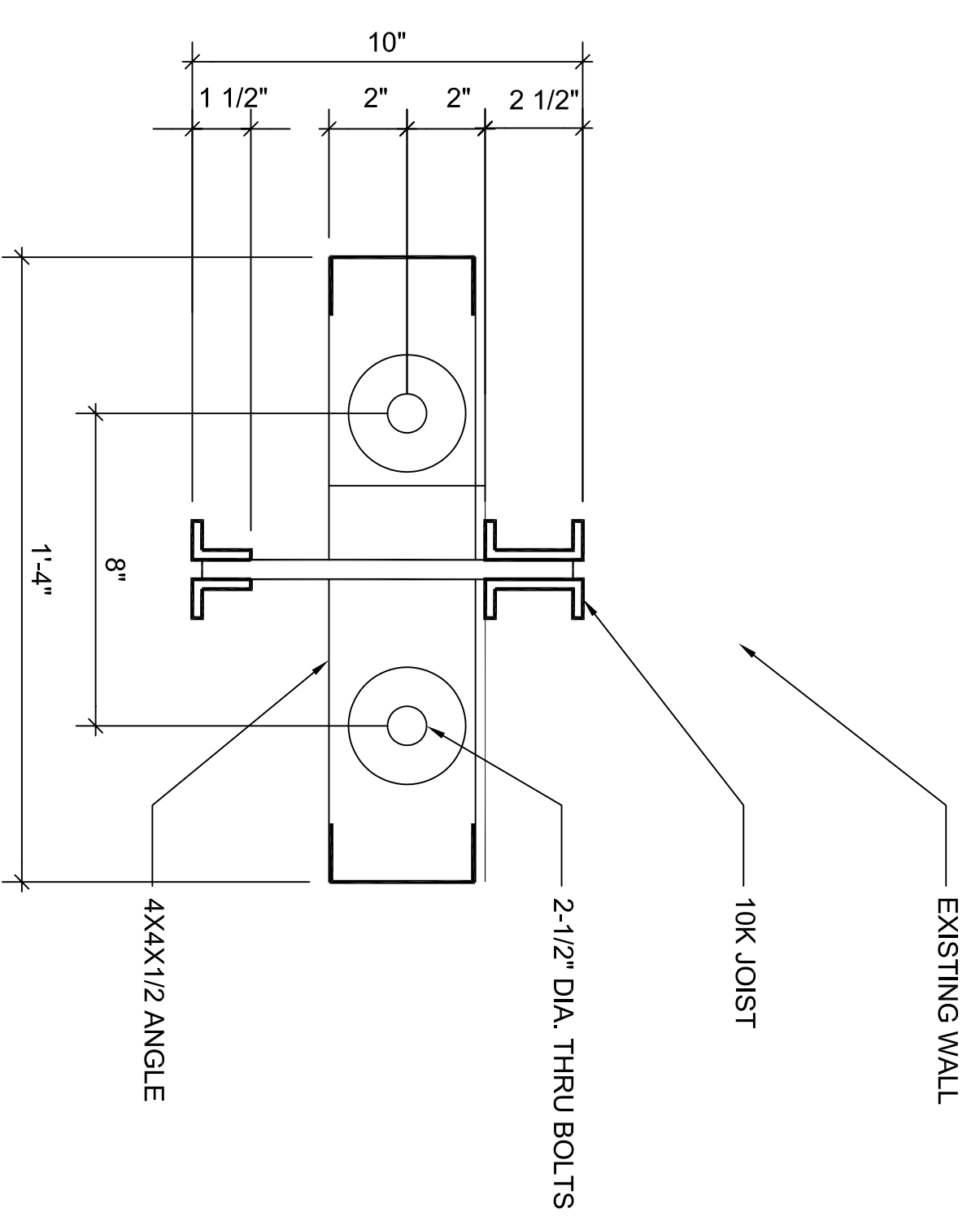
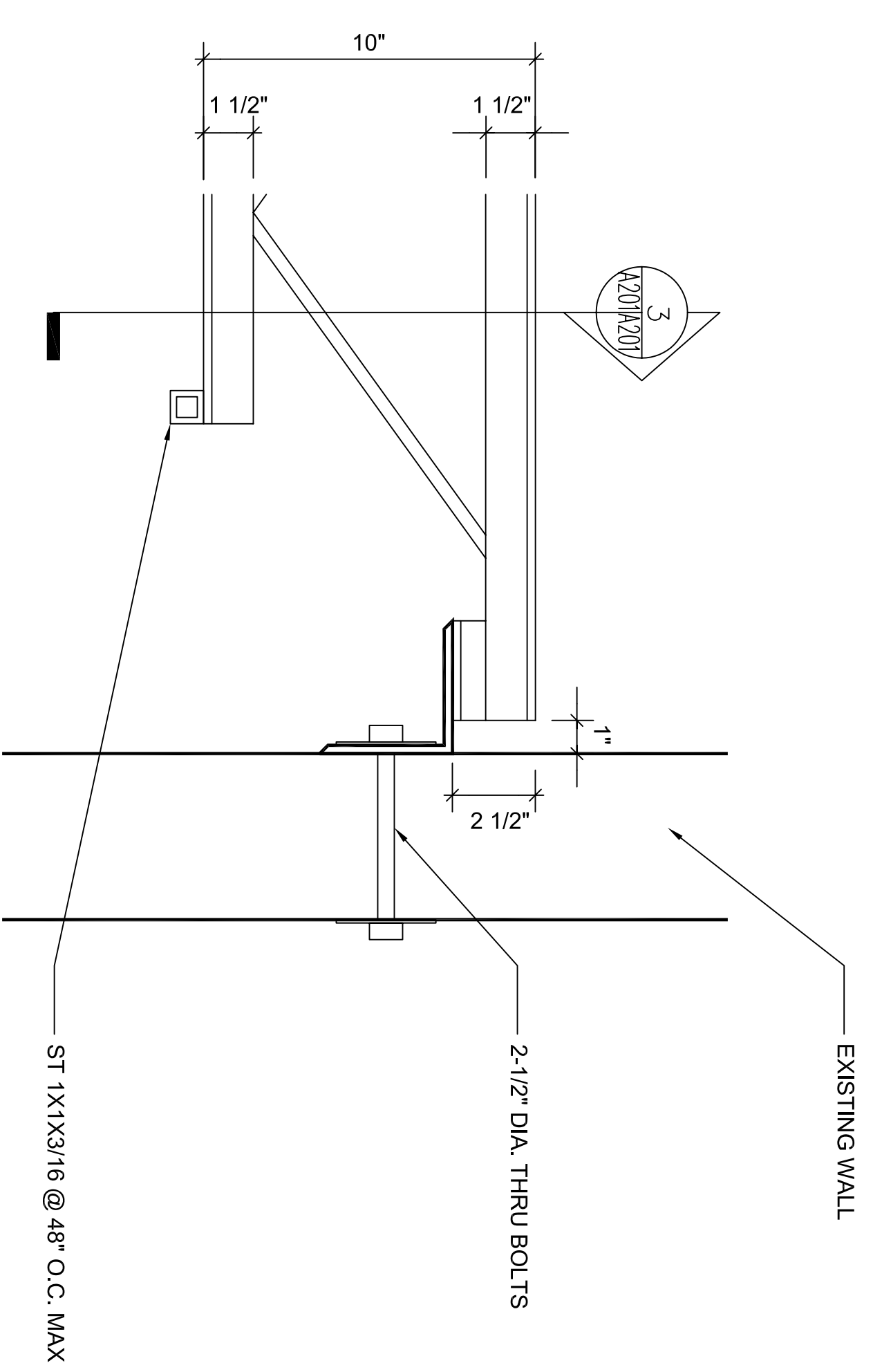


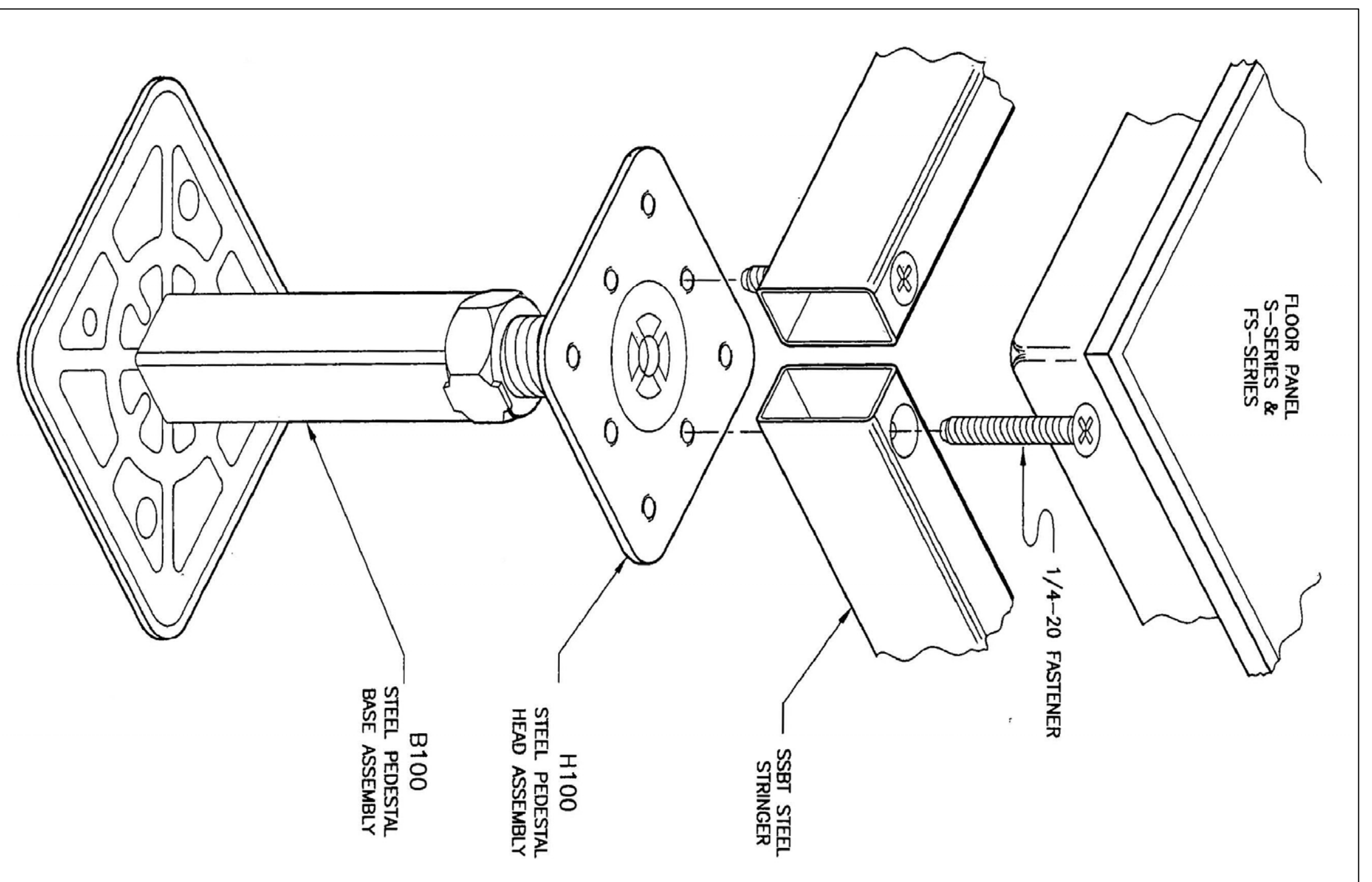
5 DETAIL @ NEW WALL  
SCALE: 3" = 1'-0"



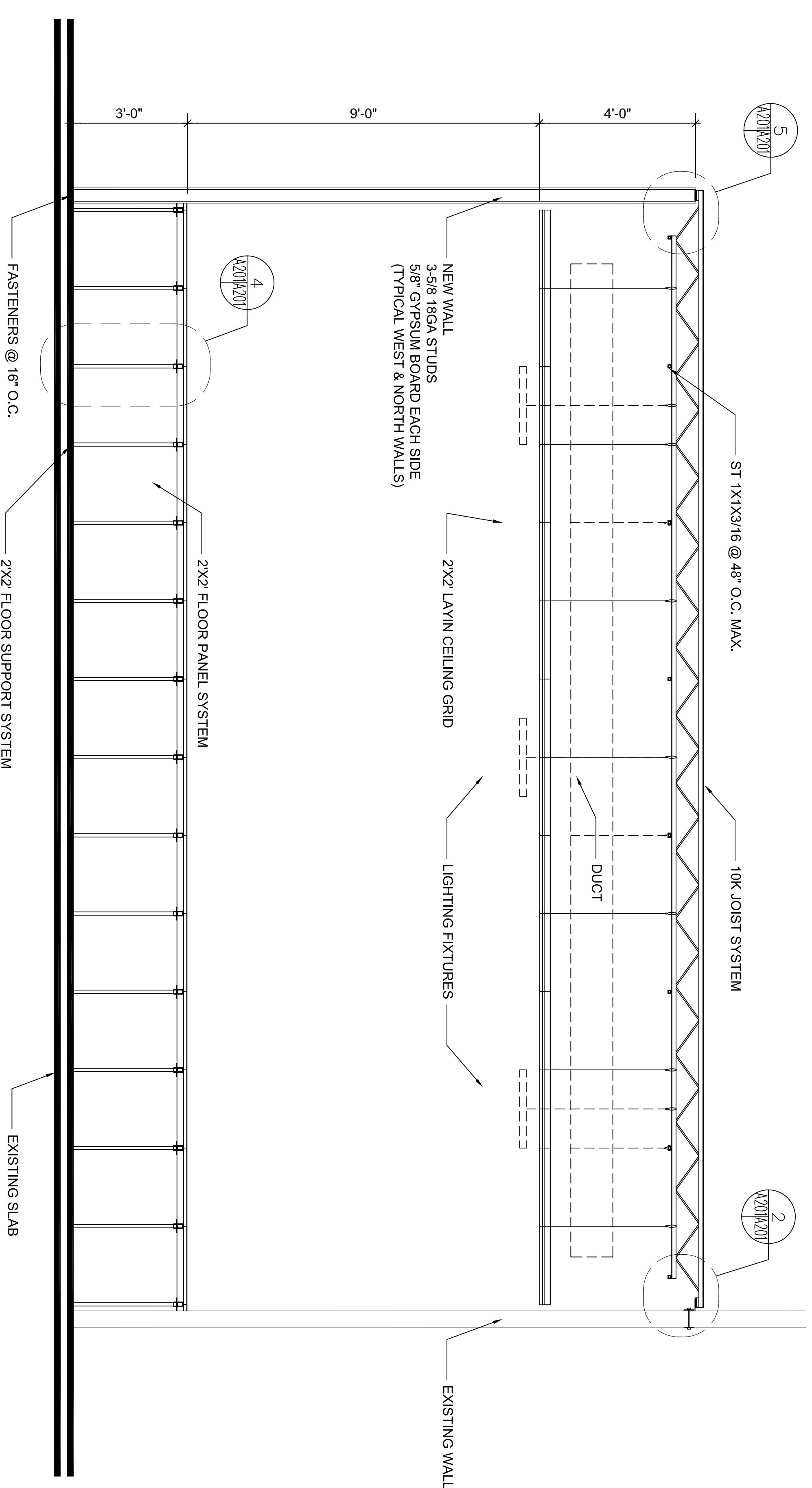
3 DETAIL @ EXISTING WALL  
SCALE: 3" = 1'-0"



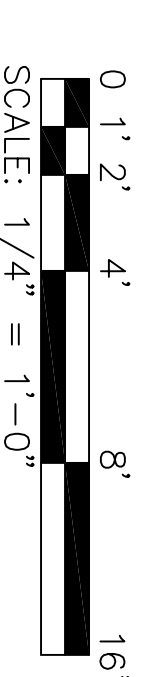
2 DETAIL @ EXISTING WALL  
SCALE: 3" = 1'-0"



4 FLOOR ASSEMBLY DETAIL  
SCALE: NTS

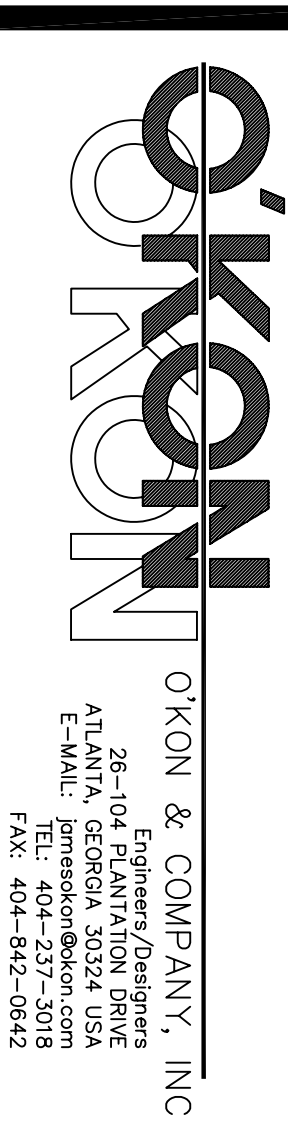


1 SECTION  
SCALE: 1/2" = 1'-0"



G.W. WOODRUFF  
SCHOOL OF MECHANICAL ENGINEERING  
OF THE GEORGE-INSTITUTE  
OF TECHNOLOGY

PROJECT  
CEETHERM LAB  
575, 14TH STREET  
ATLANTA, GEORGIA 30332-0620



DRAWING TITLE:  
SECTION & DETAILS

SCALE: VARIES  
DRAWING NUMBER A-201